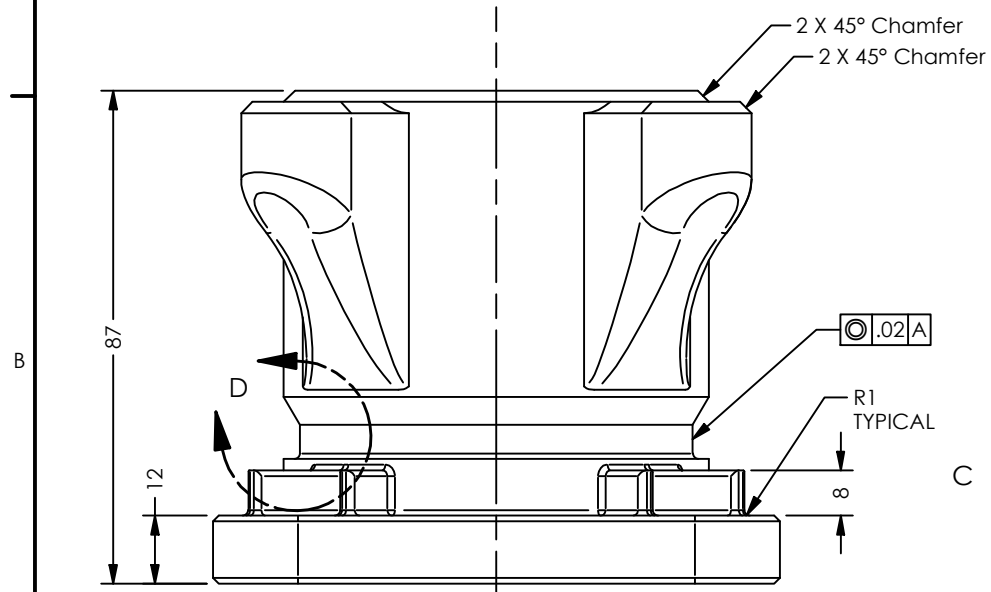
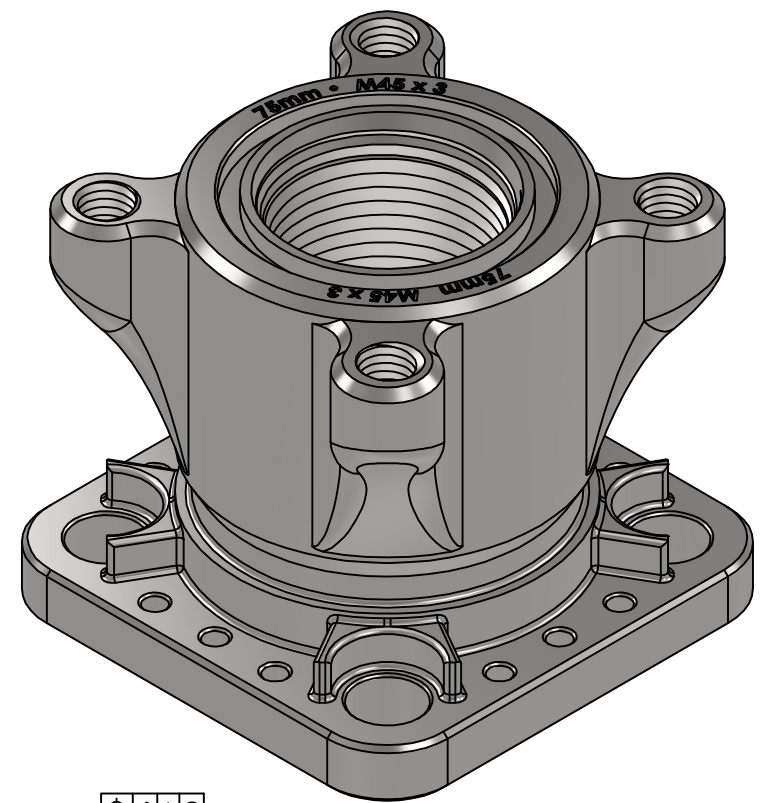
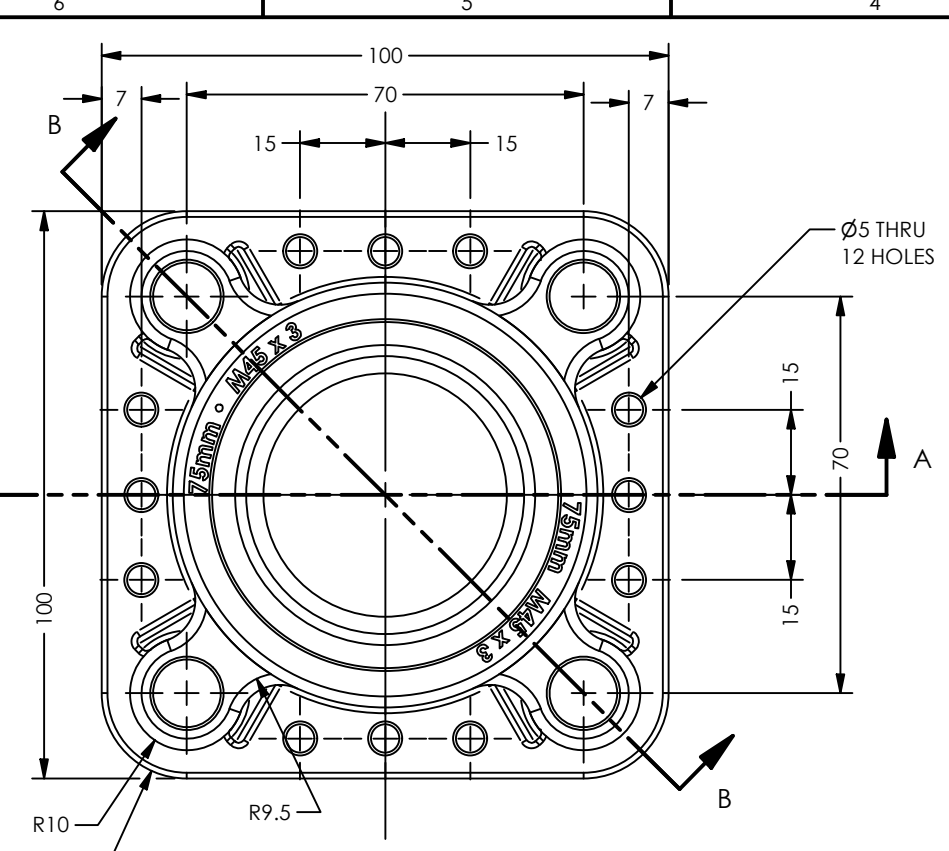
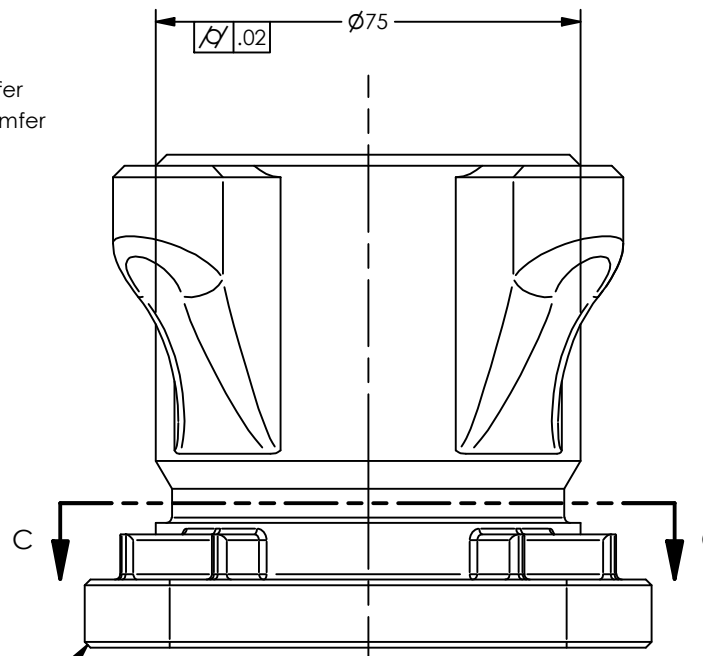


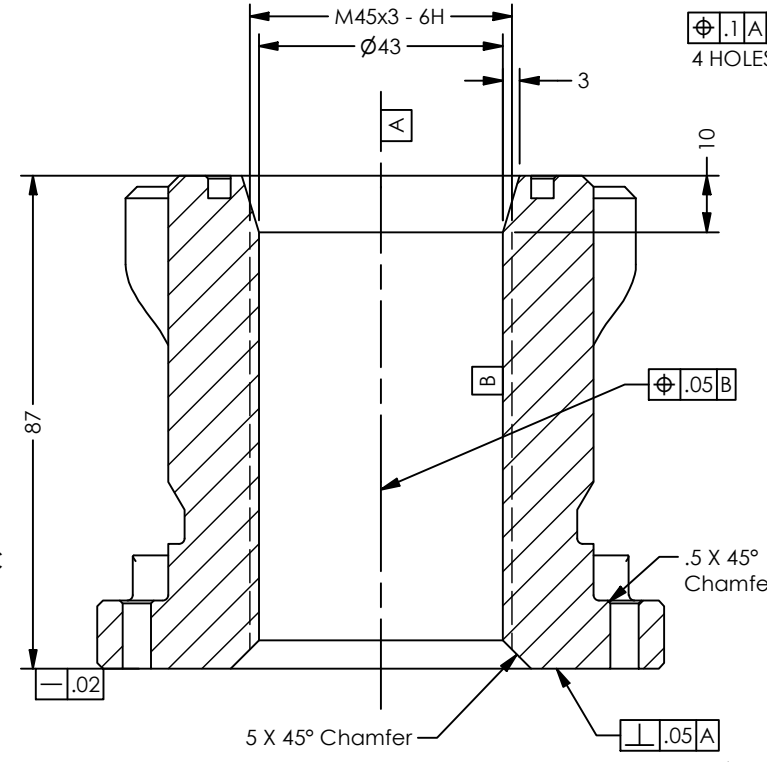
SECTION B-B
SCALE .75



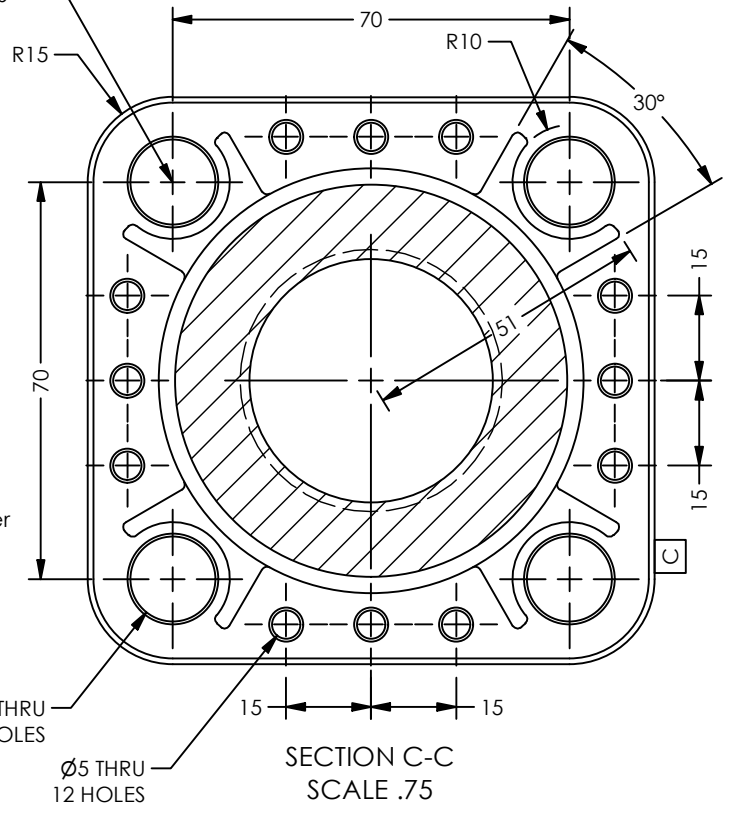
DETAIL D
SCALE 1.50 : 1





SECTION C-C
SCALE .75



SECTION A-A
SCALE .75



 <p>Philip Rivard DESSIN TECHNIQUE & SERVICES INFORMATIQUES WWW.PHILIPRIVARD.COM • 514.996.2941</p>	<p>METRIC (mm) UNLESS OTHERWISE SPECIFIED</p>		 <p>CADVENTION Where CAD Meets Innovation</p>
	<p>MAX SURFACE FINISH (Ra):</p>		
	<p>MATERIAL: STAINLESS STEEL</p>		
	<p>WEIGHT (Kg): 2.711 kg</p>		
	<p>FINISH:</p>		
	<p>ENGINEERED BY:</p>	<p>DATE:</p>	
	<p>DRAWN BY: PHILIP RIVARD</p>	<p>DATE: 2024-06-12</p>	<p>DWG NO: IPT.001.01</p>
	<p>APPROVED BY: ALLAN SMITH</p>	<p>DATE: 2024-06-12</p>	<p>SCALE: As Indicated</p>
<p>CADVENTION - THIS DRAWING OR ANY REPRODUCTION OF IT SHALL NOT BE USED FOR MANUFACTURE, PRODUCTION OR PROCUREMENT WITHOUT THE EXPRESS WRITTEN CONSENT OF CADVENTION. USE OR REPRODUCTION FOR USE IN NORMAL MANNER ASSOCIATED WITH GOODS OR SERVICES FURNISHED OR TENDERED BY CADVENTION IS APPROVED.</p>			<p>REV: B</p>
<p>WHEN SUPPLIED, DRAWING DIMENSIONS SUPERSEDE CAD MODEL GEOMETRY. DO NOT SCALE DRAWING.</p>			<p>SHEET: 1 OF 1</p>